

Installation Guide

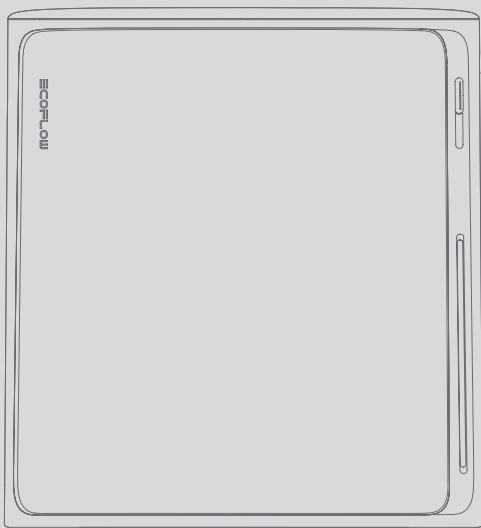
Installationsanleitung

Guide d'installation

Instrukcja instalacji

V1.3

EcoFlow STREAM Ultra X



For more details, check the latest user manual or related documents at:

Weitere Einzelheiten finden Sie in den aktuellen Benutzerhandbüchern oder den entsprechenden Dokumenten unter:

Pour plus de détails, consultez le dernier manuel d'utilisation ou les documents connexes à l'adresse :

Po więcej informacji, sprawdź najnowszą instrukcję obsługi lub powiązane dokumenty w:

🔍 <https://www.ecoflow.com/support/download>

IMPORTANT / WICHTIG / IMPORTANT / WAŻNY

- Read all product documentation before use.
- Images are for demonstration only.
- Lesen Sie vor der Verwendung die gesamte Produktdokumentation.
- Die Bilder dienen nur zur Demonstration.
- Lisez toute la documentation du produit avant utilisation.
- Les images sont à titre d'illustration uniquement.
- Przeczytaj całą dokumentację produktu przed użyciem.
- Obrazy służą wyłącznie celom demonstracyjnym

CONTENTS

ENGLISH

SOMMAIRE

FRANÇAIS

- 1 Pre-Installation**
- 1 Check the Package Contents
- 2 Product Overview
- 4 Installation Preparation

- 5 During Installation**
- 5 Step 1: Mount & Lock (Optional)
- 7 Step 2: Connect to Solar Panels
- 7 Step 3: Connect to Grid Power
- 8 Step 4: Connect to Load / Microinverter (Optional)
- 9 Step 5: Reinstall the Protective Cover

- 9 Post-Installation**
- 9 Power On
- 9 Download EcoFlow App
- 9 Bind the Device and Set Up Internet

- 21 Pré-installation**
- 21 Vérifiez le contenu de l'emballage
- 22 Présentation du produit
- 24 Préparation à l'installation

- 25 Pendant l'installation**
- 25 Étape 1 : Montage et verrouillage (facultatif)
- 27 Étape 2 : Connexion à des panneaux solaires
- 27 Étape 3 : Raccordement au réseau
- 28 Étape 4 : Connexion à la charge/au micro-onduleur (facultatif)
- 29 Étape 5 : Réinstallation du capot de protection

- 29 Après l'installation**
- 29 Mise sous tension
- 29 Télécharger l'application EcoFlow
- 29 Liez l'appareil et configurez la connexion Internet

INHALT

DEUTSCH

SPIS TREŚCI

POLSKI

- 11 Vor der Installation**
- 11 Überprüfen Sie den Packungsinhalt
- 12 Produktübersicht
- 14 Installationsvorbereitung

- 15 Während der Installation**
- 15 Schritt 1: Montieren und verriegeln (optional)
- 17 Schritt 2: Verbindung zu Solarpanelen herstellen
- 17 Schritt 3: An das Stromnetz anschließen
- 18 Schritt 4: An Verbraucher/Mikro-Wechselrichter anschließen (optional)
- 19 Schritt 5: Bringen Sie die Schutzabdeckung wieder an

- 19 Nach der Installation**
- 19 Einschalten
- 19 EcoFlow App herunterladen
- 19 Verbinden Sie das Gerät und richten Sie den Internetzugang ein

- 31 Przed instalacją**
- 31 Sprawdź zawartość opakowania
- 32 Przegląd produktu
- 34 Przygotowanie do instalacji

- 35 Podczas instalacji**
- 35 Krok 1: zamontuj i zamocuj (opcjonalnie)
- 37 Krok 2: podłącz do paneli fotowoltaicznych
- 37 Krok 3: podłącz do sieci elektroenergetycznej
- 38 Krok 4: podłącz do obciążenia / mikrofalownika (opcjonalnie)
- 39 Krok 5: załóż ponownie osłonę ochronną

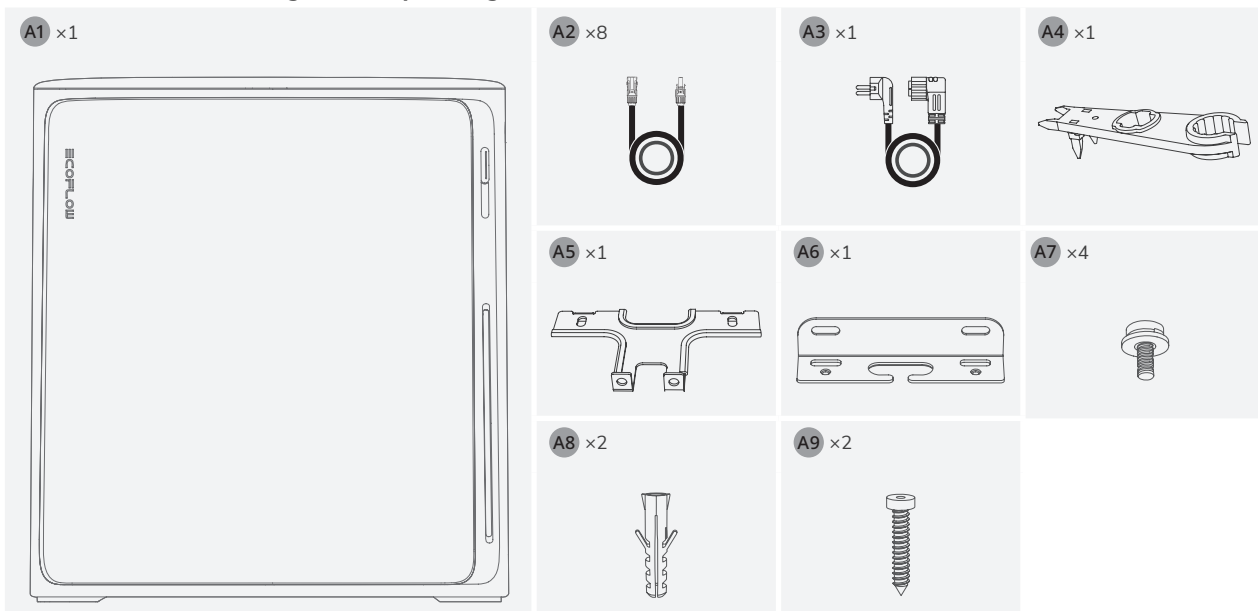
- 39 Po instalacji**
- 39 Włączanie zasilania
- 39 Pobierz aplikację EcoFlow
- 39 Powiąż urządzenie i skonfiguruj połączenie internetowe

I Check the Package Contents

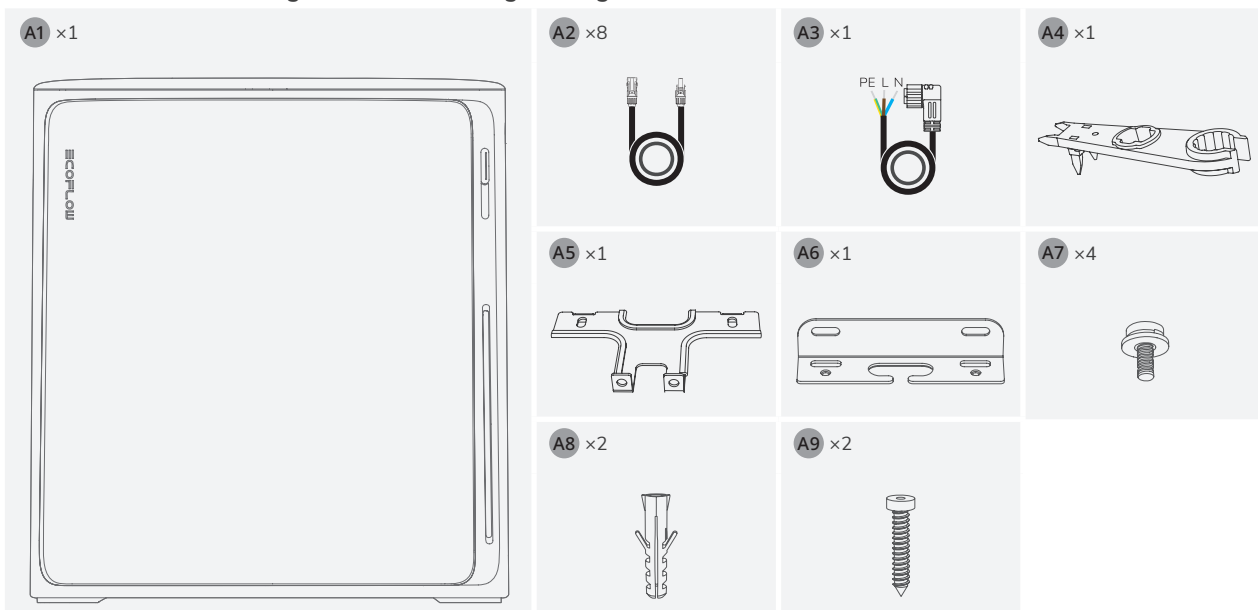


- The AC outlet on the product and the AC power cable shown in this guide are for illustration purposes. The actual appearance may vary by sales region and product version.
- If any item is damaged or missing, contact EcoFlow Customer Service for assistance.

• Standard Product Package for European Region



• Standard Product Package for the United Kingdom Region

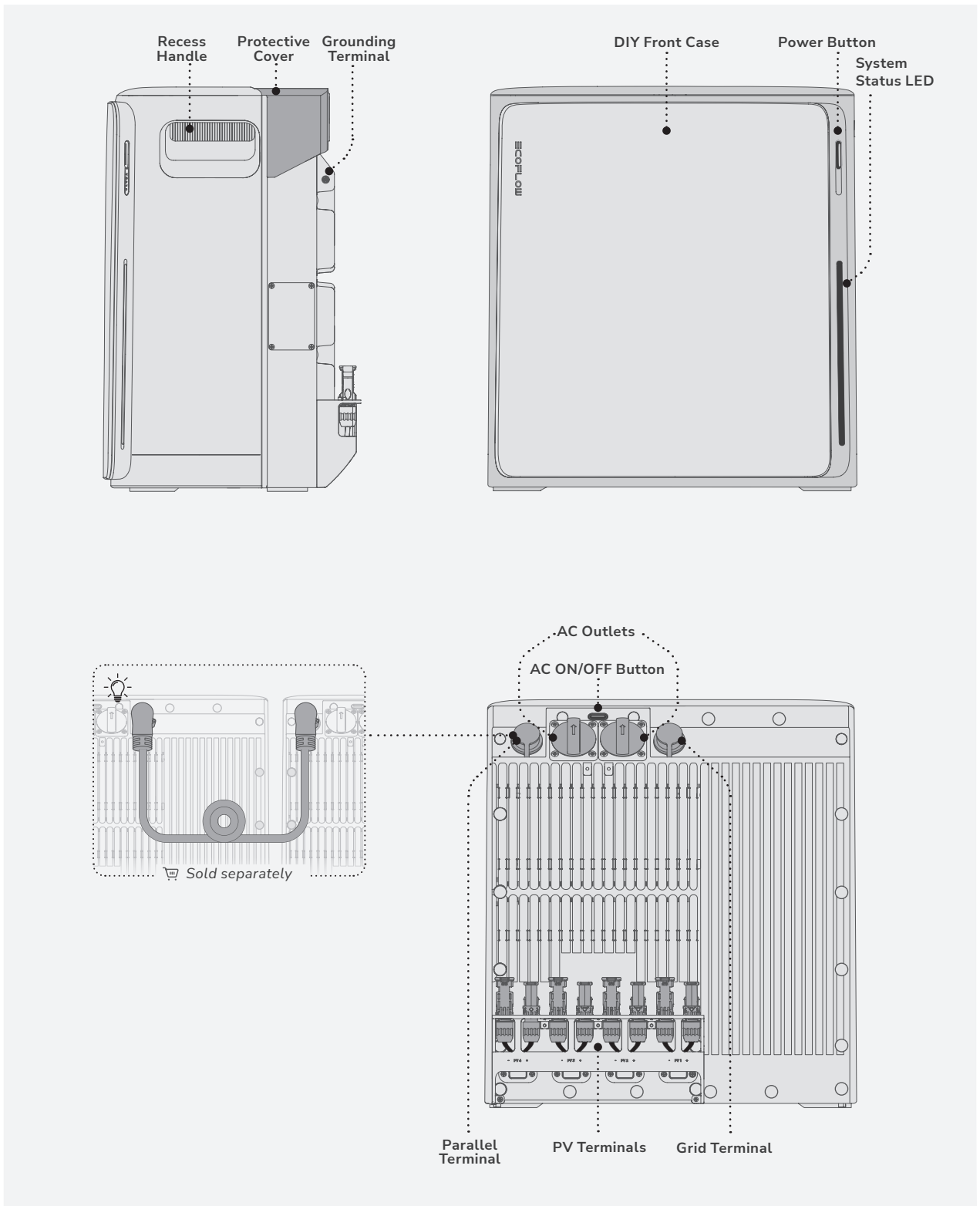


I Product Overview

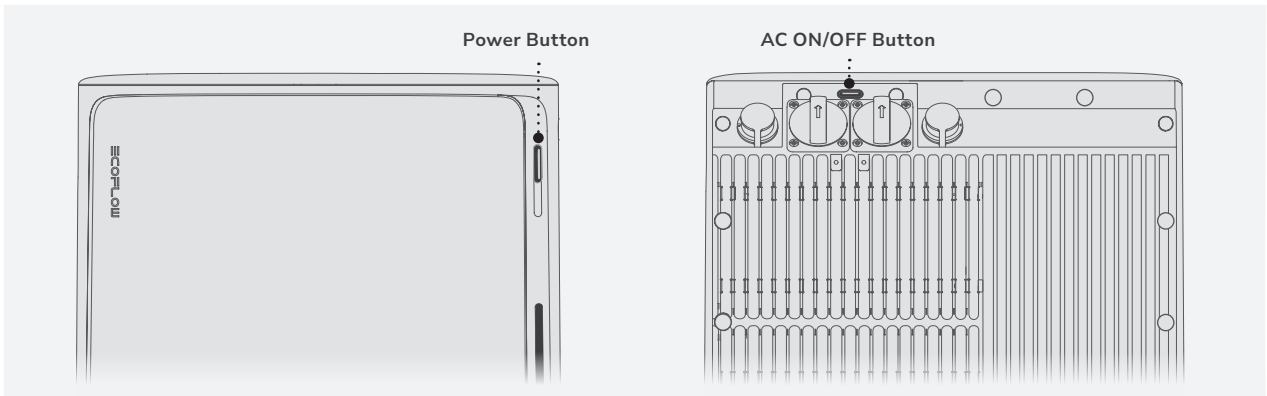
• Appearance



- The actual appearance of the AC outlet and the AC power cable may vary by sales region and product version.



• **Button**



Operation		Description
ON	2s	Press and hold the button for 2 seconds to turn on the device.
OFF	2s	Press and hold the button for 2 seconds to turn off the device. If solar or grid power is present, disconnect the cables before powering off.
RESET IOT	x5	Press the button 5 times in quick succession to reset Bluetooth and Wi-Fi connections.

Operation		Description
AC ON	x1	Press once to enable or disable the AC outlets.
AC OFF	x1	

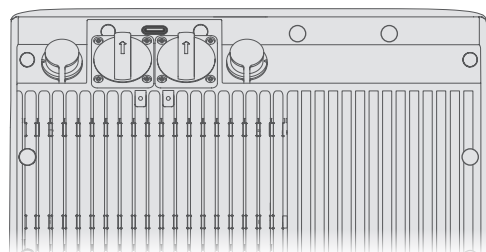
• **LED**



- **System Status LED**



Pattern	Description
	Indicates the device is powered off.
	Indicates the current battery level.
	Indicates the device is being charged.
	Indicates the device is faulty. Check the EcoFlow app for further instructions.
	Indicates a setting has been applied, such as a system reset or internet setup completion.
	Indicates the device is upgrading firmware.



- **AC Outlet Status LED**

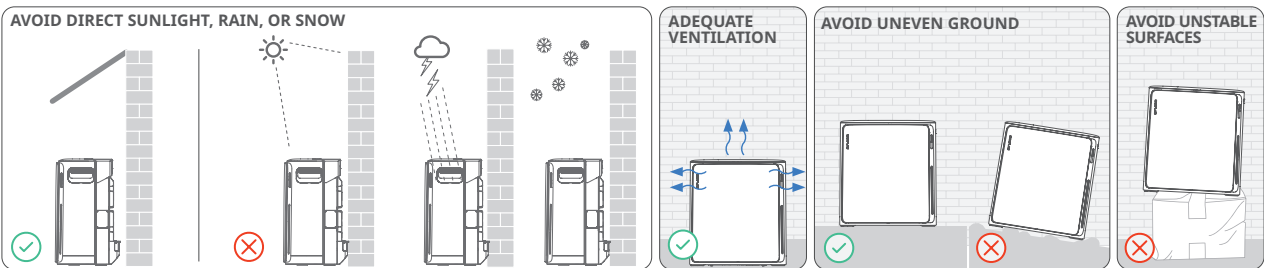
Pattern	Description
	At least 1 AC outlet is enabled.
	AC outlets are disabled.

I Installation Preparation

• Tools



• Environment



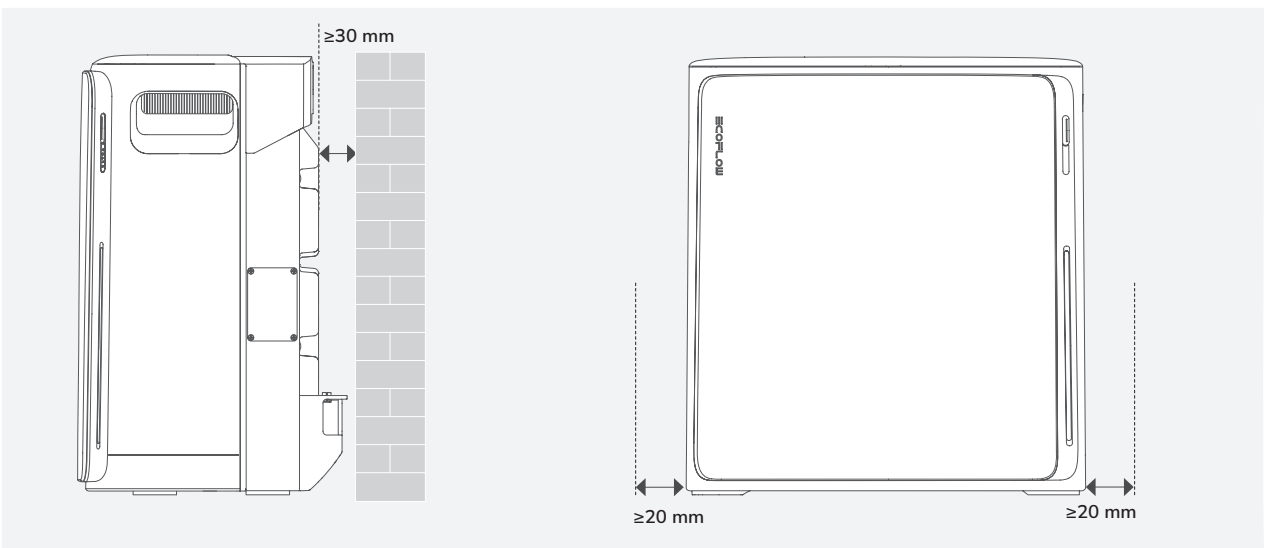
AWAY FROM



• Clearance

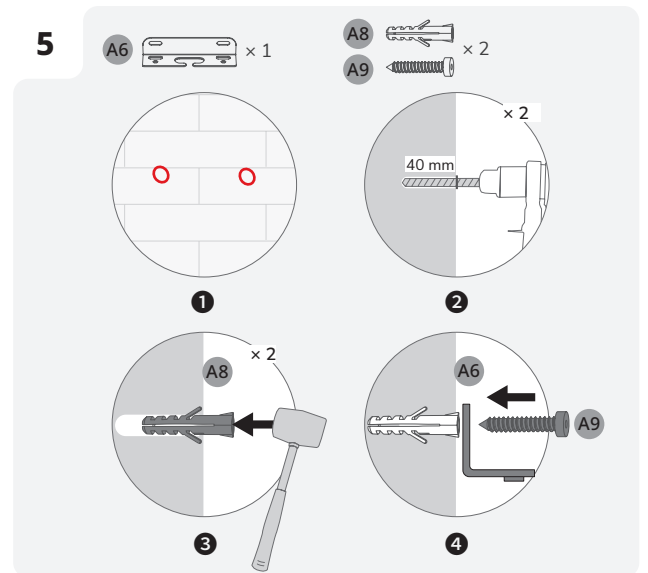
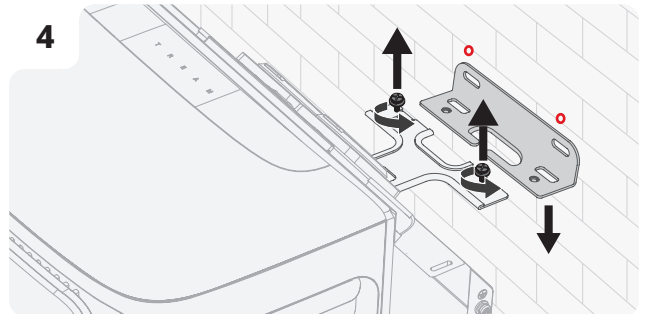
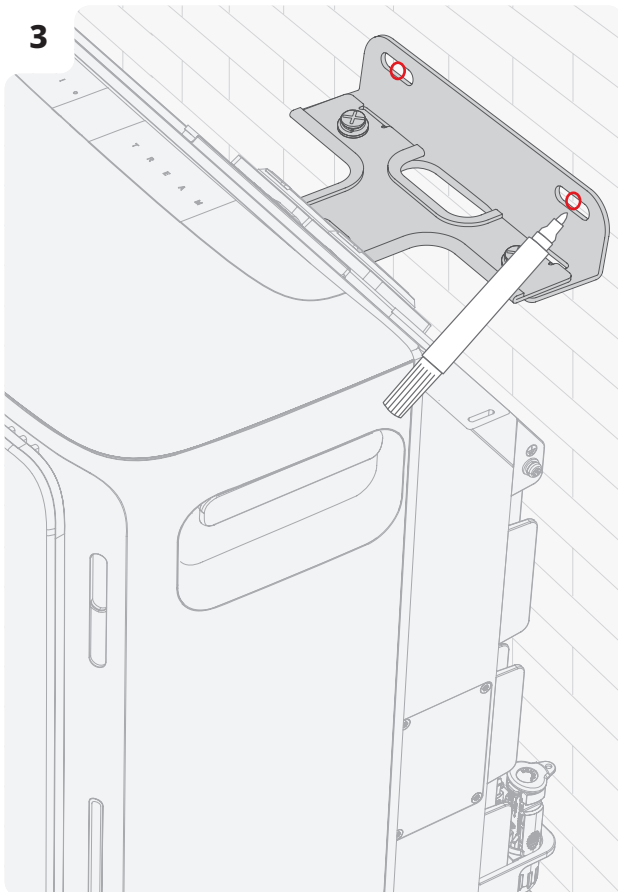
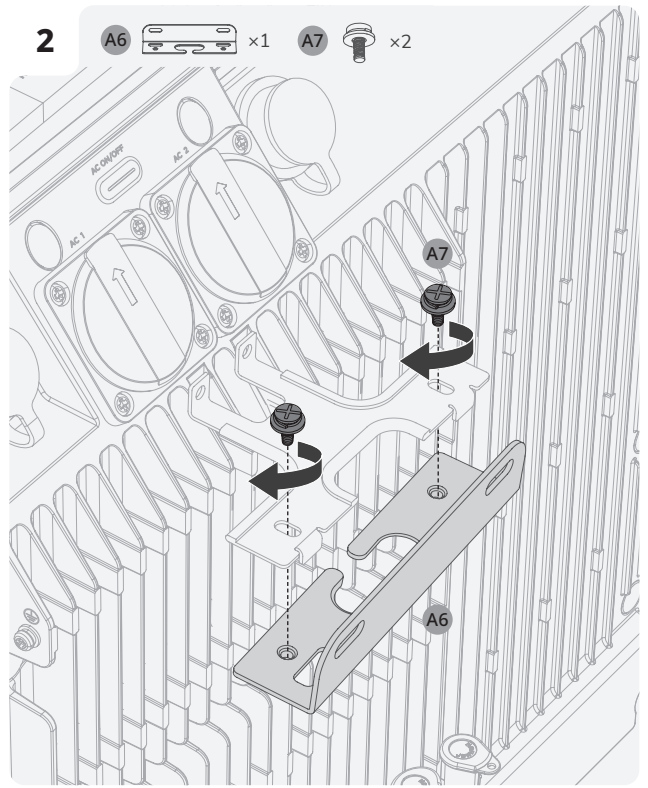
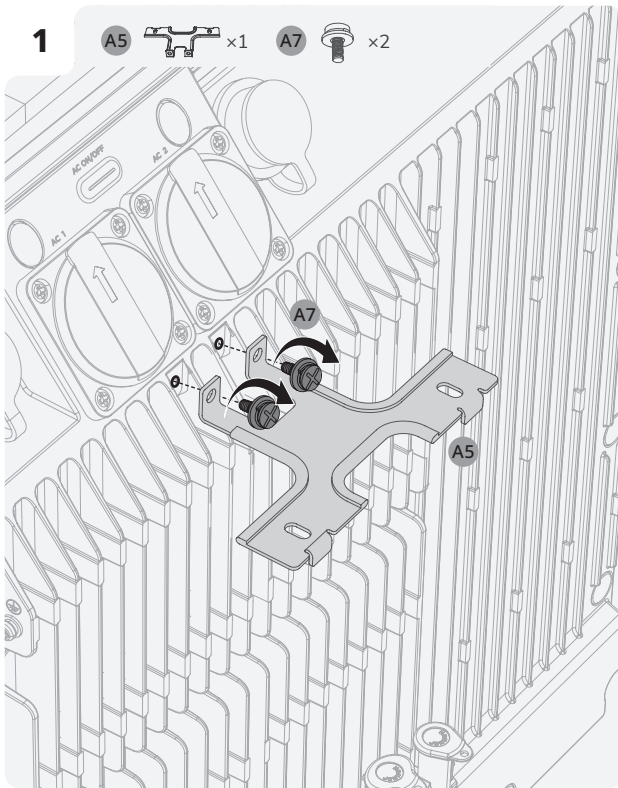


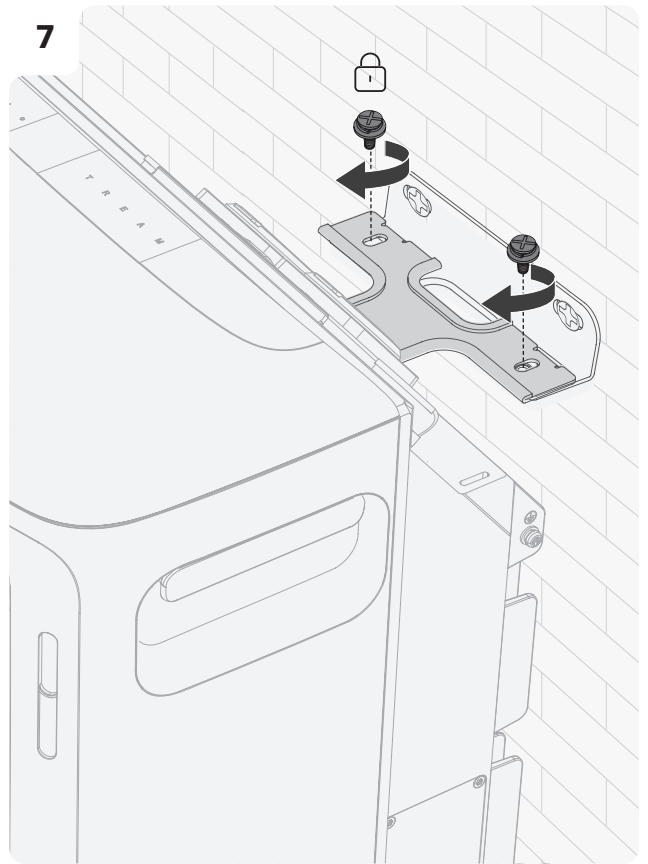
- Make sure to reserve sufficient clearance for proper heat dissipation.



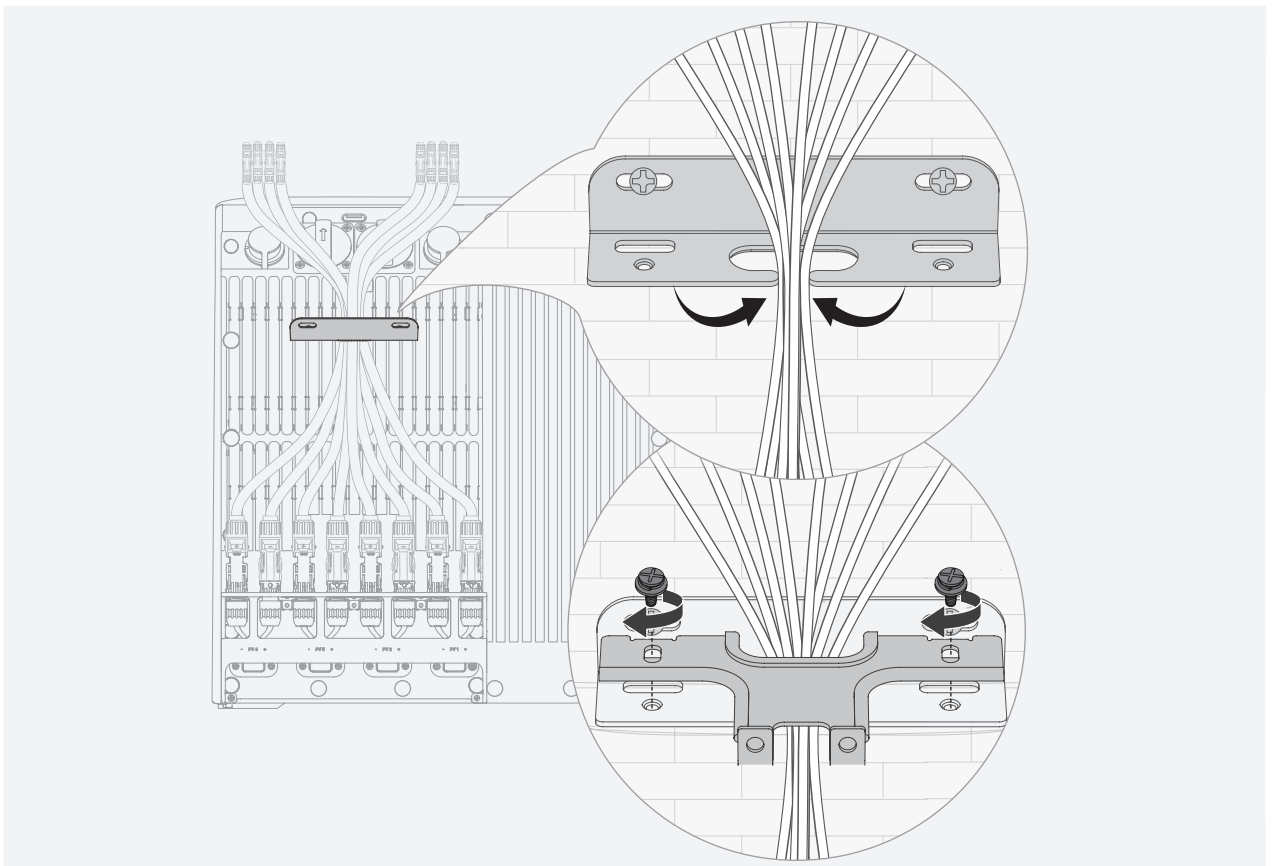
During Installation

I Step 1: Mount & Lock (Optional)





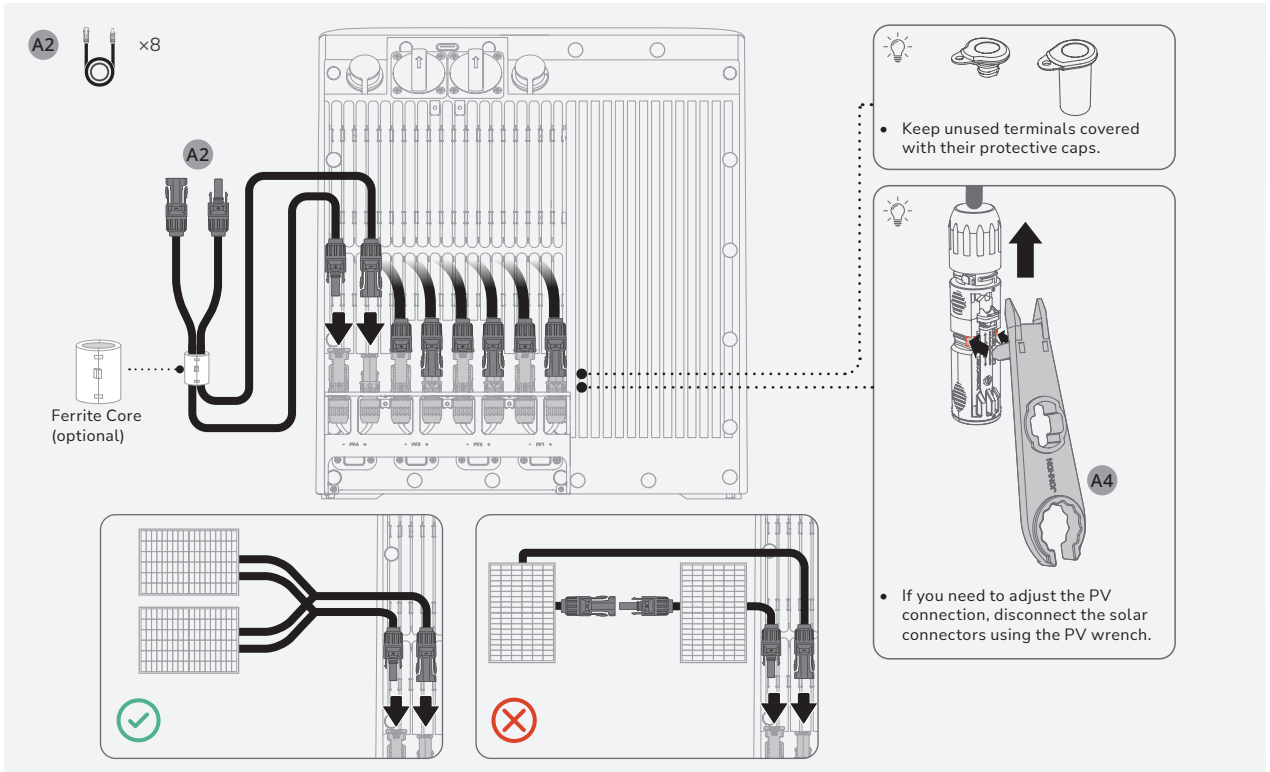
The mounting and locking brackets can also help arrange the cable routing (maximum: 8 PV cables) for a neater setup.



I Step 2: Connect to Solar Panels



- Do not connect the leads of a solar panel to different PV terminals (e.g., negative to PV1- and positive to PV2+) to prevent short circuits.
- Do not connect two or more solar panels in series, as this may cause the input voltage to exceed 60 V and damage the equipment.

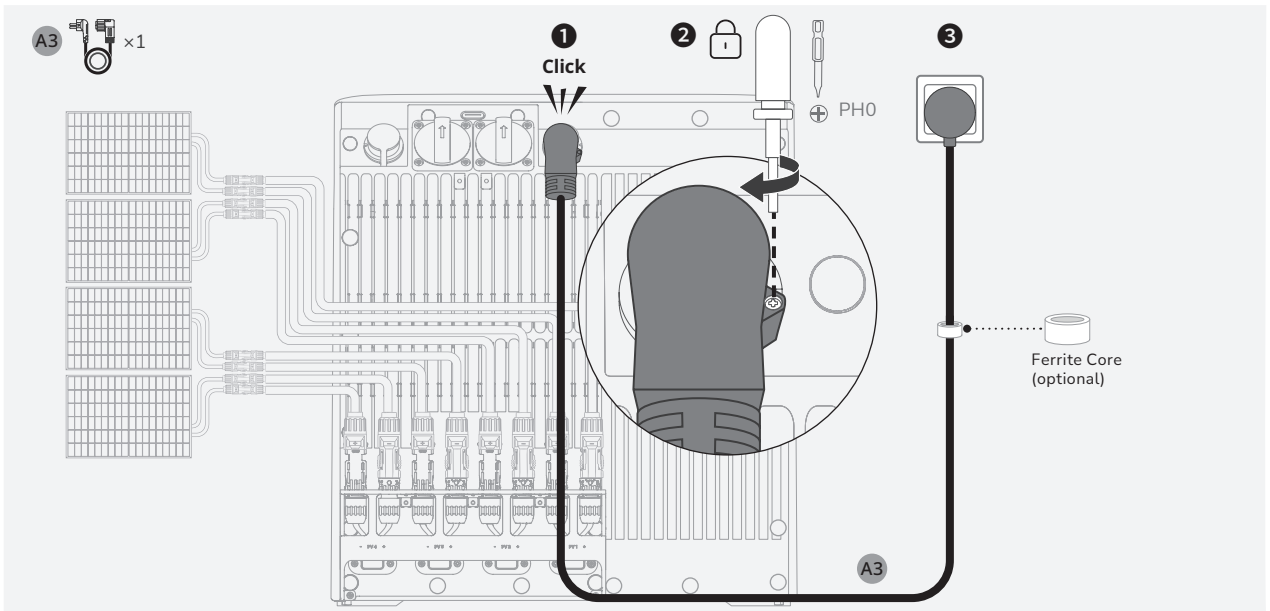


I Step 3: Connect to Grid Power



- The grid connection must be connected to a grounded electrical outlet or grounding busbar. Additionally, grounding the product casing via its dedicated grounding terminal is recommended for enhanced safety.
- Ensure the device is powered off before installation.

• Method 1: Connect via a Home Outlet

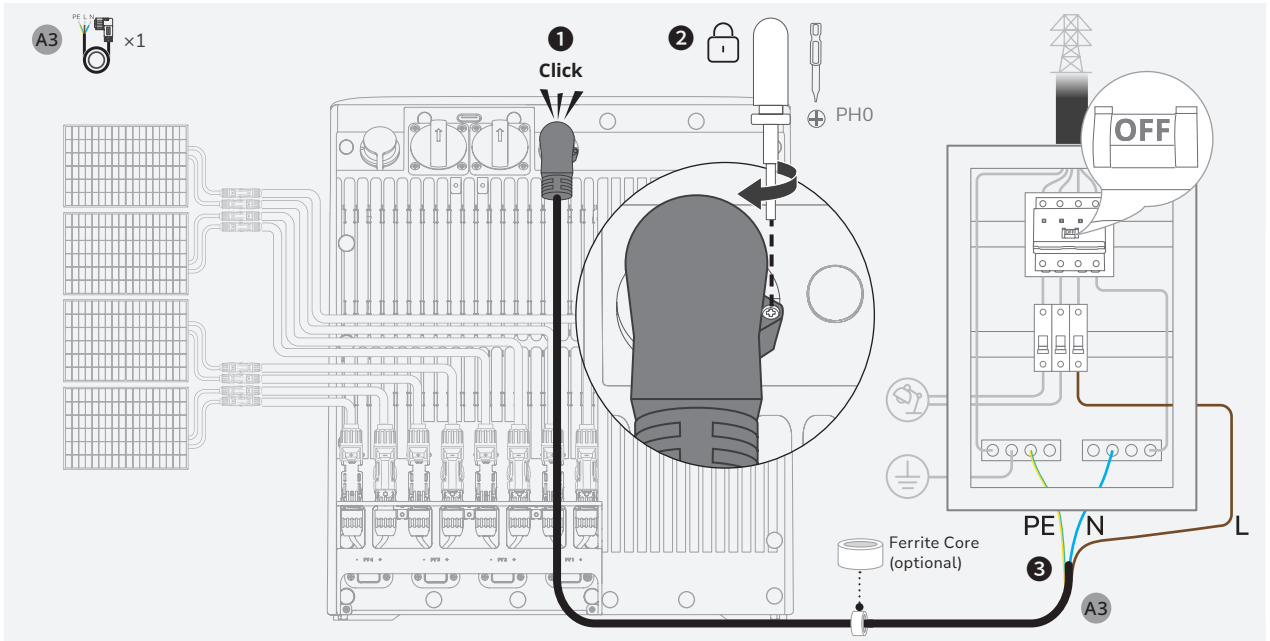


It is recommended to use a ferrite core if the cable length exceeds 3 m and other devices are affected by electromagnetic interference. For details, refer to the online user manual.

• **Method 2: Connect via a Home Circuit Breaker (Optional)**



- **Professional Installation Required:** This step must be carried out by a qualified electrician.
- **Power Must Be Off:** Before beginning installation, ensure the power is switched off at the installation site.
- The PE and N wires should be connected separately to the PE-bar and Neutral-bar, and the L wire should be connected to the terminal on the breaker that leads to the load side.

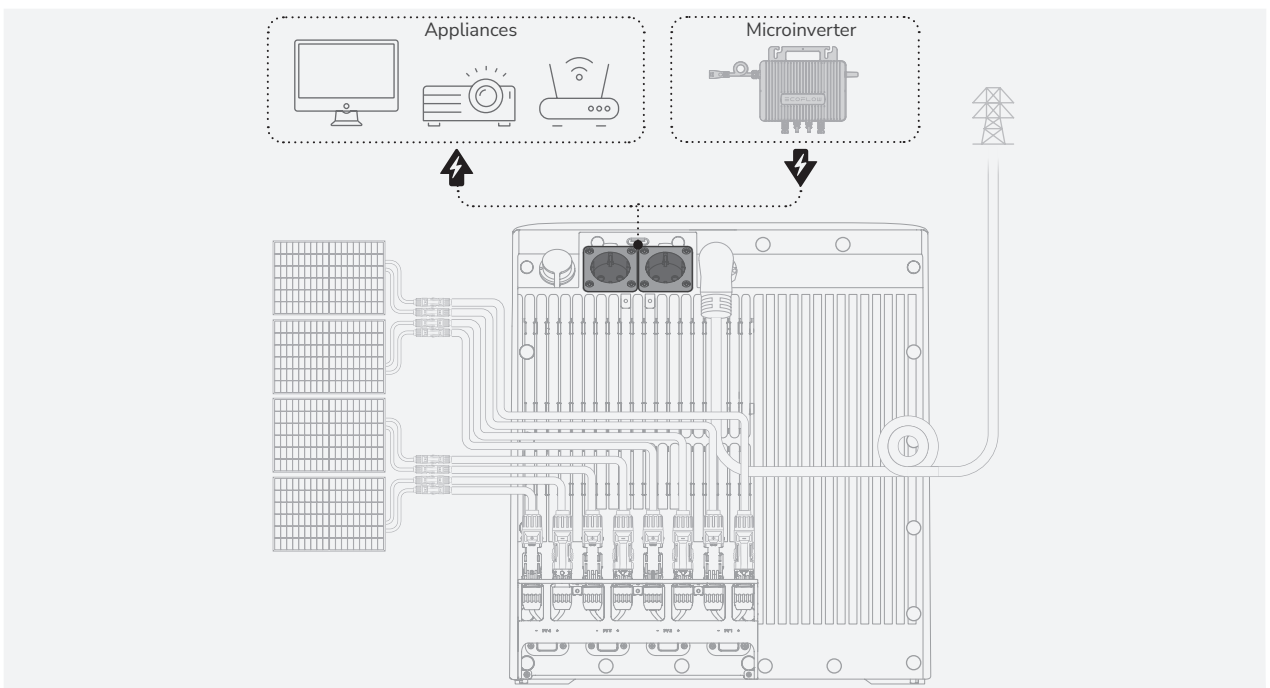


- The illustration is for reference only. Installation must be performed according to actual site conditions and applicable regulations.
- It is recommended to use a ferrite core if the cable length exceeds 3 m and other devices are affected by electromagnetic interference. For details, refer to the online user manual.

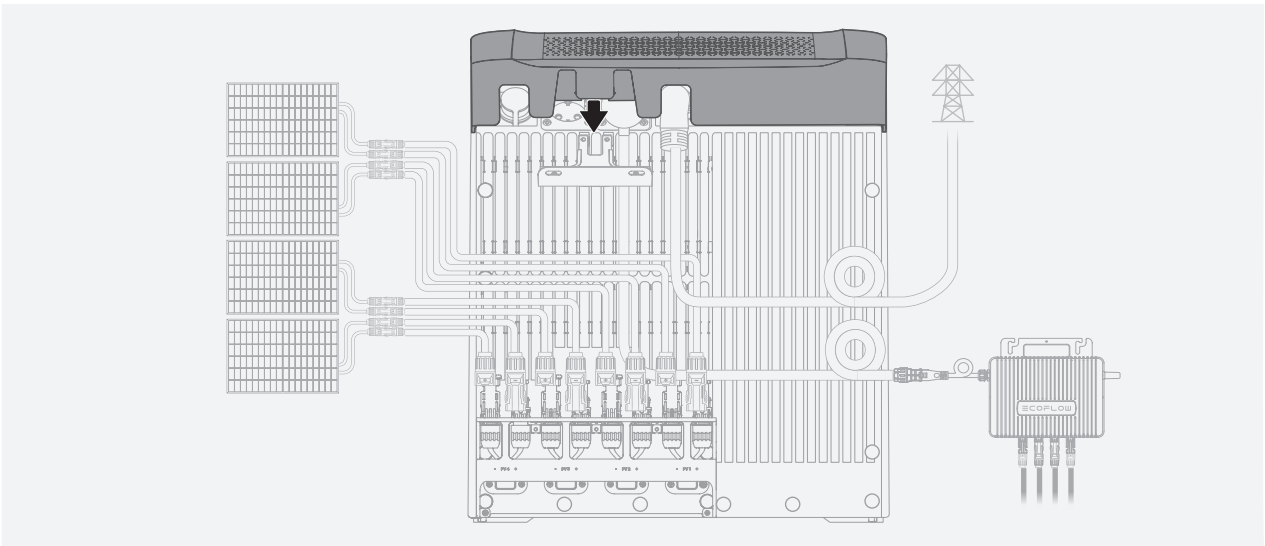


I Step 4: Connect to Load / Microinverter (Optional)

- Connect a microinverter that complies with local regulations to add power input. EcoFlow microinverters are preferred; third-party models may require users to take additional measures.
- The device has an IP65 ingress protection rating. Use of the AC outlet may affect the ingress protection rating. To minimize exposure to water, place the device close to a wall.
- Ensure the AC outlet cover remains in place when the AC outlet is not being used.
- The actual appearance of the AC outlet may vary by sales region and product version.



I Step 5: Reinstall the Protective Cover



Post-Installation

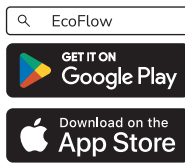
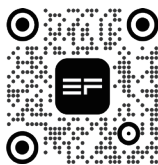
I Power On

The device turns on automatically when connected to a power source that is supplying power.

Tip: If the home circuit breaker is turned off, remember to switch it back on.

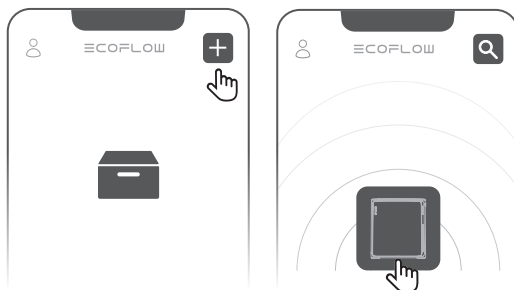
I Download EcoFlow App

Scan the QR code or search for the EcoFlow app in your mobile application store to download it. Then, register an account and log in.



I Bind the Device and Set Up Internet

Follow the in-app instructions to bind the device and enjoy smart control from your phone.





PAP

Raccolta carta

© 2026 EcoFlow Inc. All rights reserved.